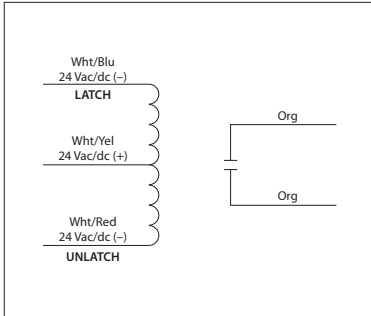


LATCHING RELAYS

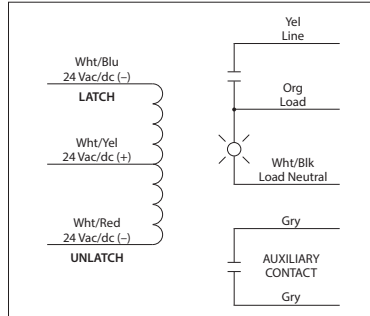
RIBL24B

Mechanically Latching Relay, 20 Amp SPST, 24 Vac/dc Coil, NEMA 1 Housing



RIBL24BM

Mechanically Latching Relay, 20 Amp SPST, 24 Vac/dc Coil, Status LED, Auxiliary Output, NEMA 1 Housing



RIBL24B-RD
• Red housing



RIBL24B-N4
• NEMA 4X housing
(Not available on switched models)

SPECIFICATIONS

- # Relays & Contact Type:** One (1) SPST Latching Relay, Dual Coil
- Expected Relay Life:** 1 million cycles minimum mechanical
- Operating Temperature:** -30 to 140° F
- Humidity Range:** 5 to 95% (noncondensing)
- Operate Time:** 50ms
- Maximum Pulse Length:** 30 seconds
- Relay Status / Auxiliary:** (RIBL24BM)
- Contact Closed:** LED On = Voltage Detected on Load Wire (RIBL24BM)
- Dimensions:** 1.70"H x 2.80"W x 1.50"D with 0.50" NPT nipple (RIBL24B)
2.39"H x 3.31"W x 1.81"D with 0.50" NPT nipple (RIBL24BM)
- Housing Detail:** See **Housing A** (RIBL24B) or **Housing B** (RIBL24BM) in housing guide for dimensions
- Origin:** Made of US and non-US parts
- Wires:** 16", 600V Rated
- Approvals:** UL Listed, UL60947, C-UL, CE, RoHS
- Housing Rating:** UL Accepted for Use in Plenum, NEMA 1
- Gold Flash:** No

- Contact Ratings:**
- 20 Amp Resistive @ 120-277 Vac
- 20 Amp Ballast @ 120-277 Vac
- 16 Amp Electronic Ballast @ 120-277 Vac
- 5540 Watt Tungsten @ 277 Vac
- 720 VA Pilot Duty @ 120-277 Vac
- 2 HP @ 277 Vac
- 3 HP @ 240 Vac
- 1.5 HP @ 120 Vac

- Coil Current:**
- 175 mA @ 20 Vac
- 210 mA @ 24 Vac
- 92 mA @ 20 Vdc
- 110 mA @ 24 Vdc
- 138 mA @ 30 Vdc
- Latch / Unlatch:**
- Min. 20 Vdc / 22 Vac
- Auxiliary Contact:**
- 3 Amp @ 30 Vac/dc max. (RIBL24BM)

- Notes:**
- Application of voltage on latch coil (Wht/Blu & Wht/Yel) will close the contact.
- Application of voltage on unlatch coil (Wht/Red & Wht/Yel) will open the contact.
- Voltage should not be applied to the coil for more than 30 seconds.
- Auxiliary contact and status LED activate when 120-277 Vac is applied between Load (Org) wire and Load Neutral (Wht/Blk) wire. (RIBL24BM)